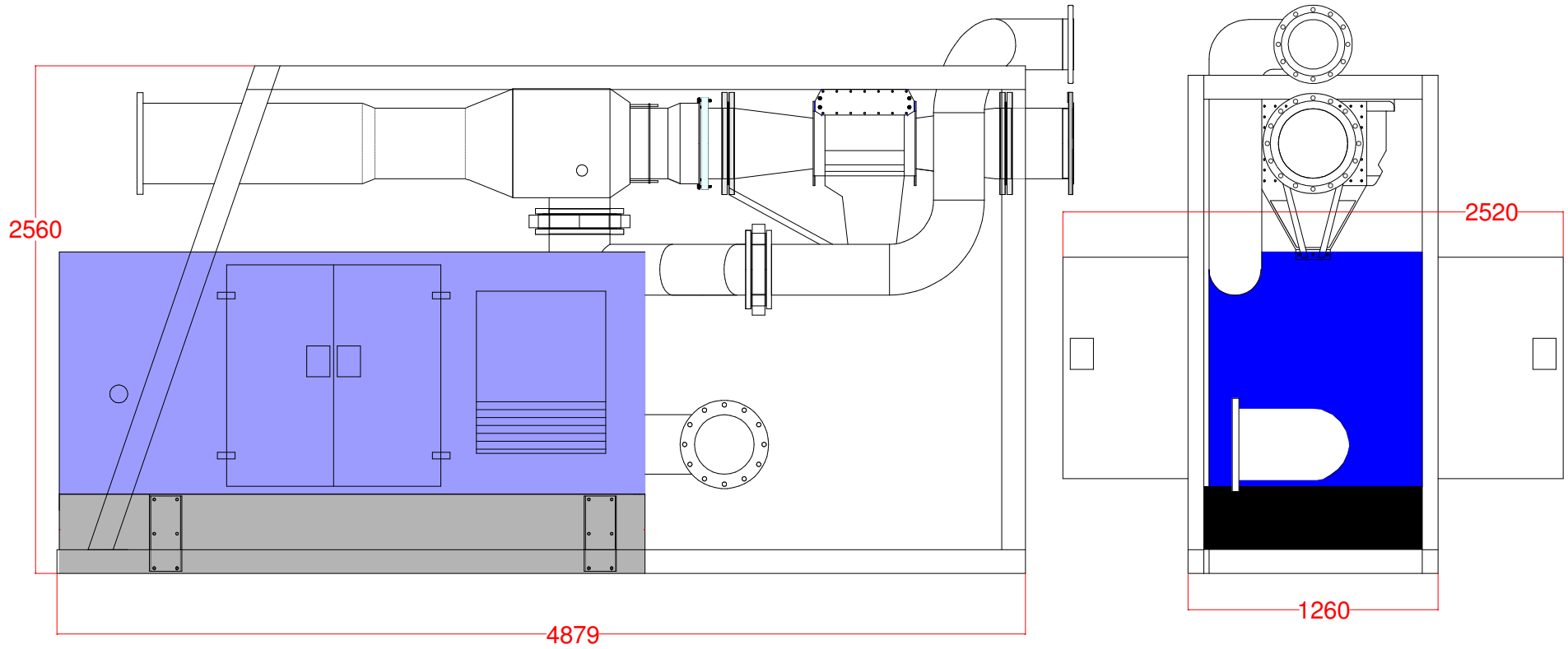


FLS avluser m. nytype FLS 350 telle-veiesystem.



Flatsetsund Engineering AS

DRAWN Name	vein Søyseth 250311	Pumpeaggregat m.nytype FLS 350	
CHECKED Name		teller og avluser	
ENGINEER Name		Utvendig byggemål	
APPROVED Name		SIZE	DWG NUMBER
SCALE	REV - 250311		0000-0000
			SHEET 1 OF 1